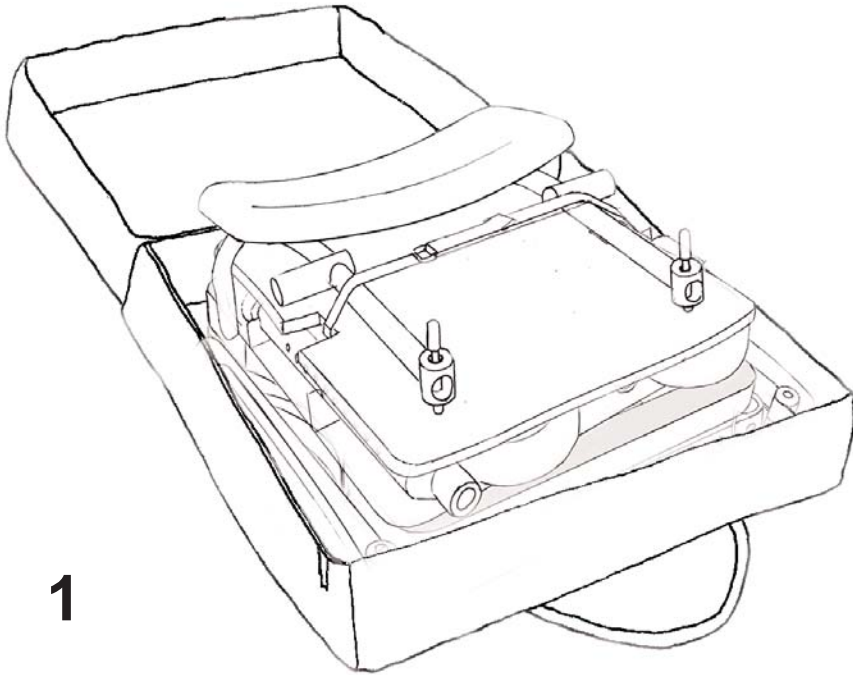


## PACKING INSTRUCTIONS FOR THE MULTICHAIR 5000

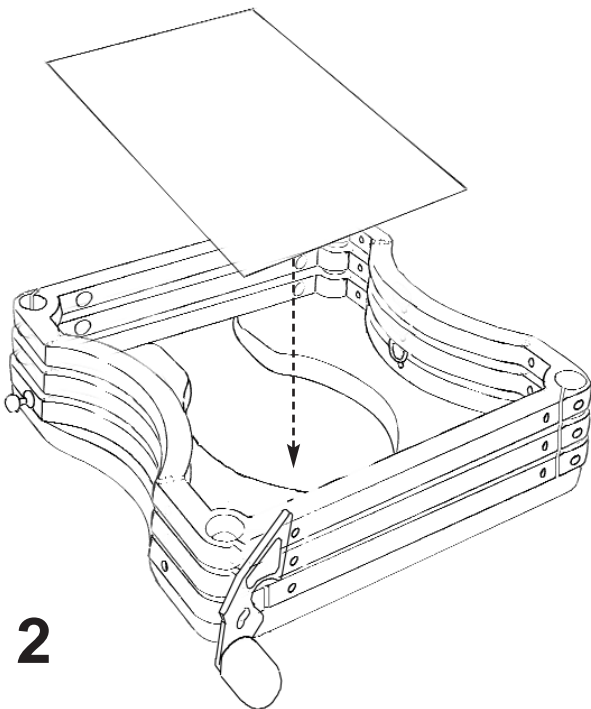
Follow these simple instructions to pack your multichair 5000.

Make sure that you don't pack anything either on top or underneath the seat or backrest cushions. Both cushions are constructed of closed cell foam which doesn't spring back and once dented will stay that way permanently



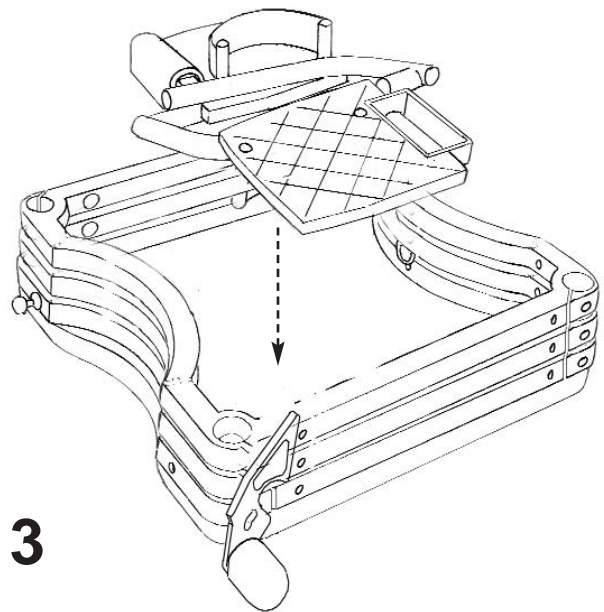
**1**

Complete multichair 5000 in the open carrying case.



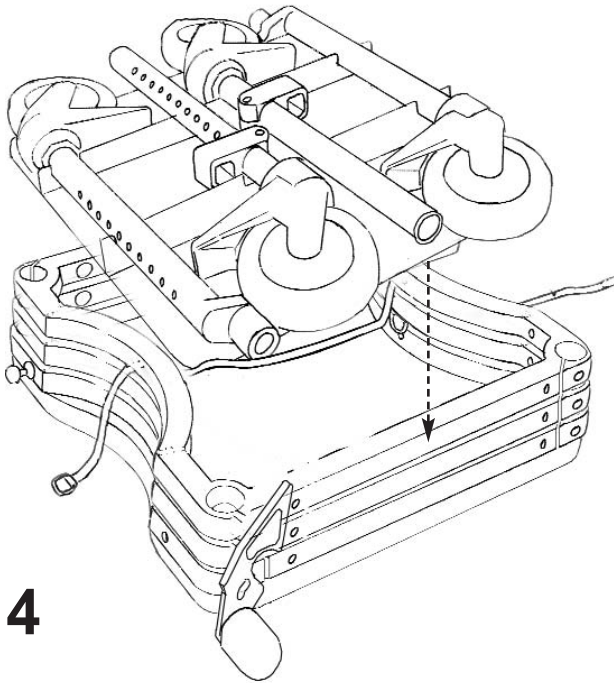
**2**

Place the plastic pane (or black foam) in the inverted roll-in and tub section frames



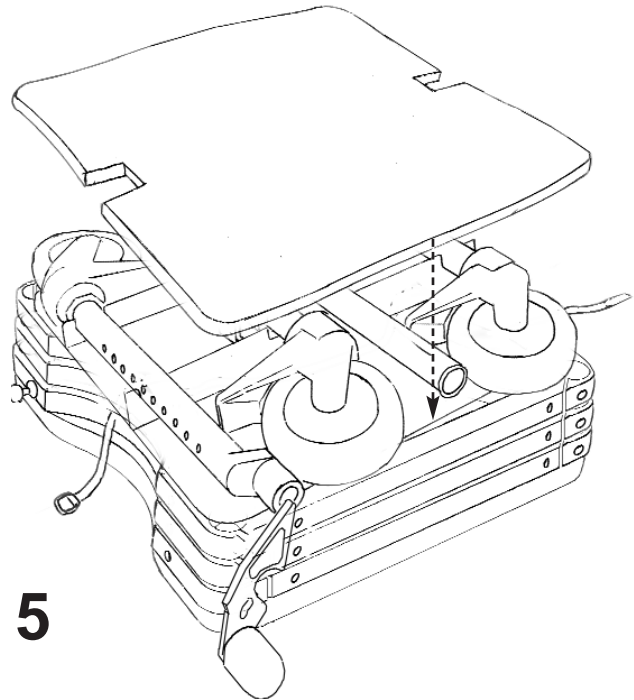
**3**

Center the folded footrests (one inverted) on the plastic panel (or black foam) as shown.



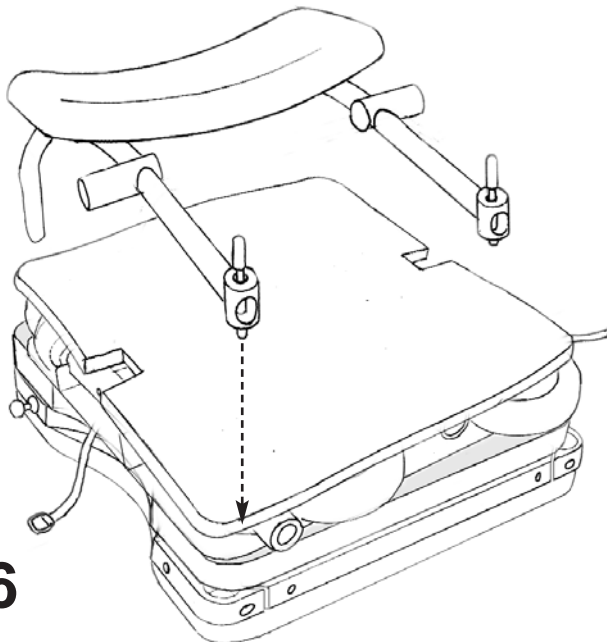
**4**

Position the legs with casters in the black plastic tray and center over the frames. Legs must be arranged as shown to fit neatly in the tray.



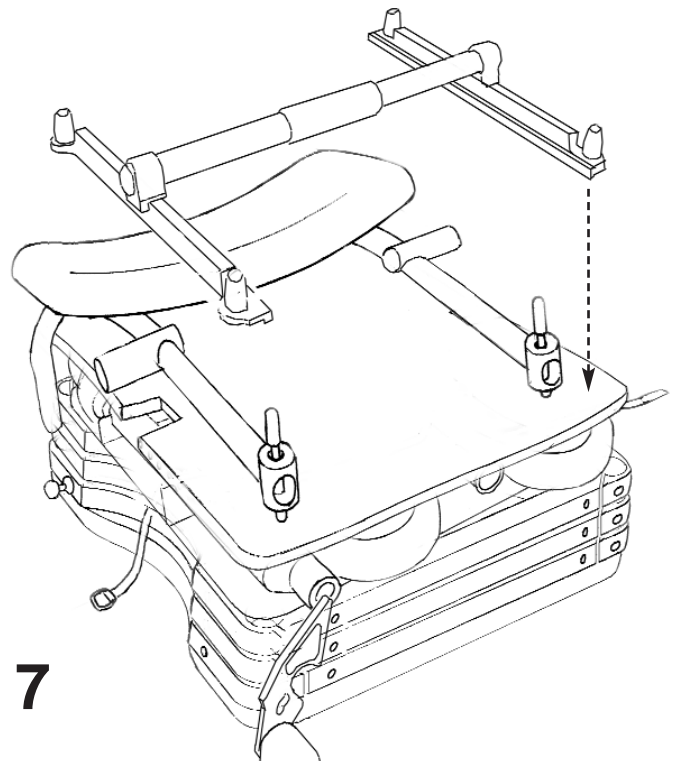
**5**

Put the 1/2" black foam on top of the casters.



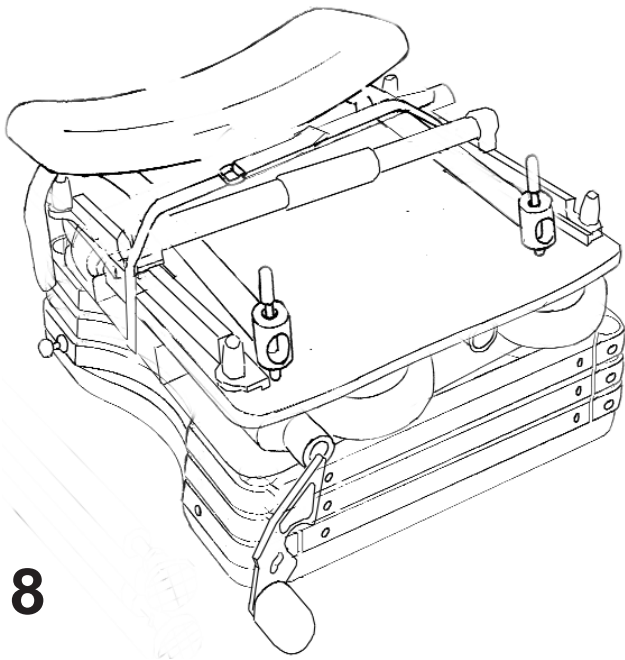
**6**

Position the backrest with push handles facing down to overlap the seat frame.



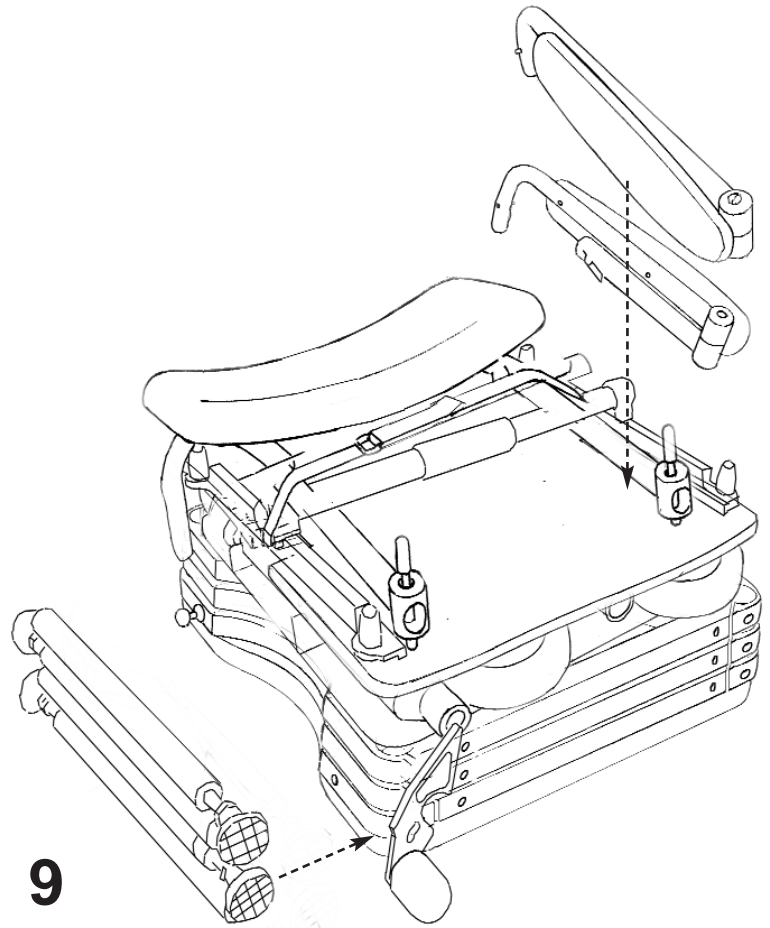
**7**

Position the connector bridge on top of the backrest frame



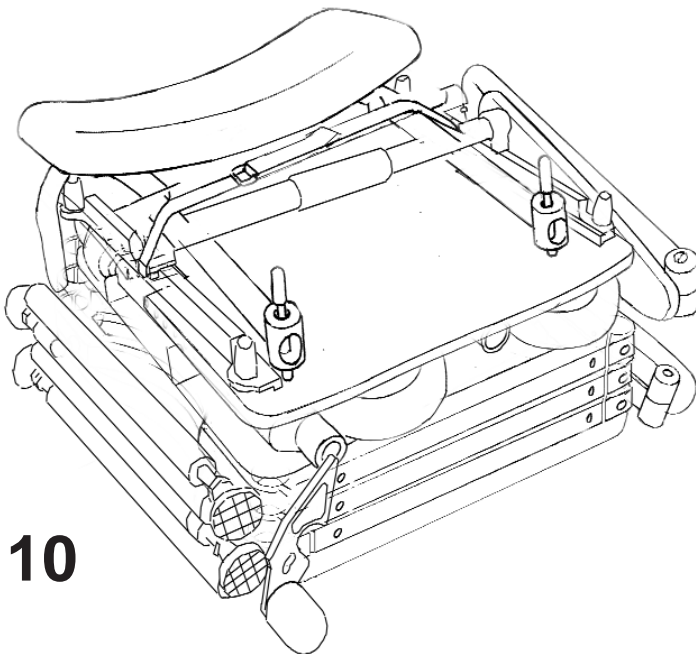
**8**

Thread the packing strap around the tub section frame, caster tray, 1/2" foam, backrest, and connector bridge



**9**

Place the folded arm rests on one side of seat frame and the tub section legs on the other side.



**10**

Completed multichair 5000 (shown with fold-up arms, connector bridge, tub section legs)