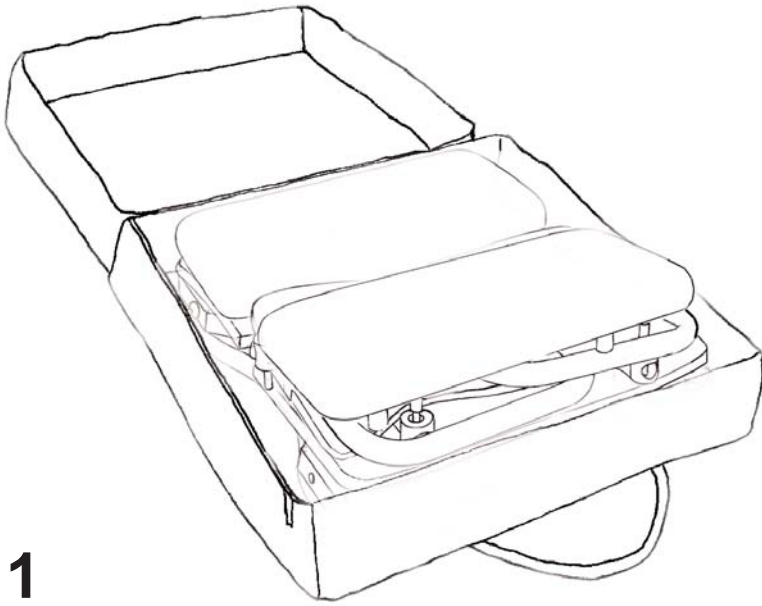


PACKING INSTRUCTIONS FOR THE MULTICHAIR 3000

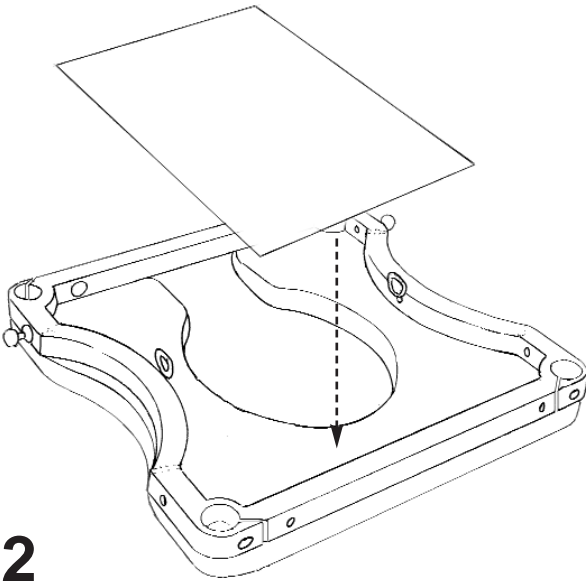
Follow these simple instructions (which includes references to optional side arms and transfer cushion) to pack your multichair 3000

Note: make sure that you don't pack anything either on top or underneath the seat or backrest cushions. Both cushions are constructed of closed cell foam which doesn't spring back and once dented will stay that way permanently



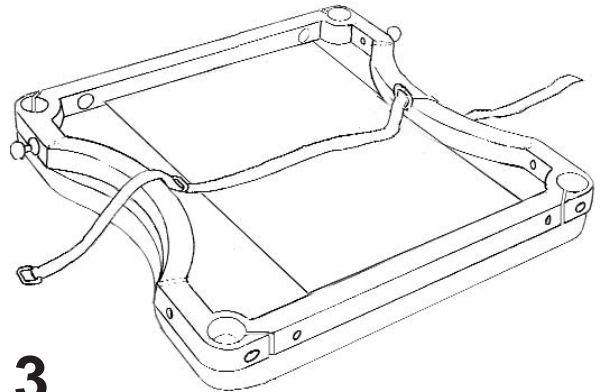
1

Complete multichair 3000 in the open carrying case.
(shown with optional side arms and transfer cushion)



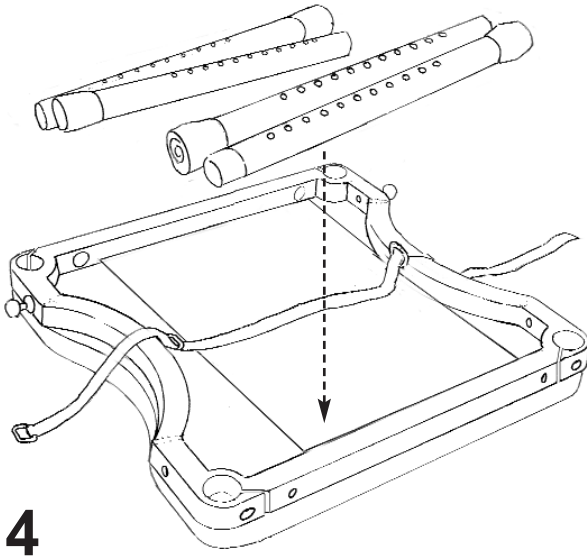
2

Place the plastic panel in the inverted seat frame.



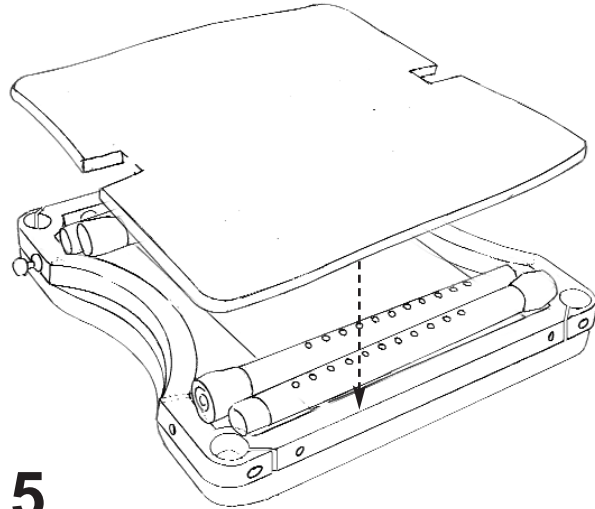
3

Thread the packing strap through each D-ring.
Note that the velcro at the end of the strap will face down at this point.



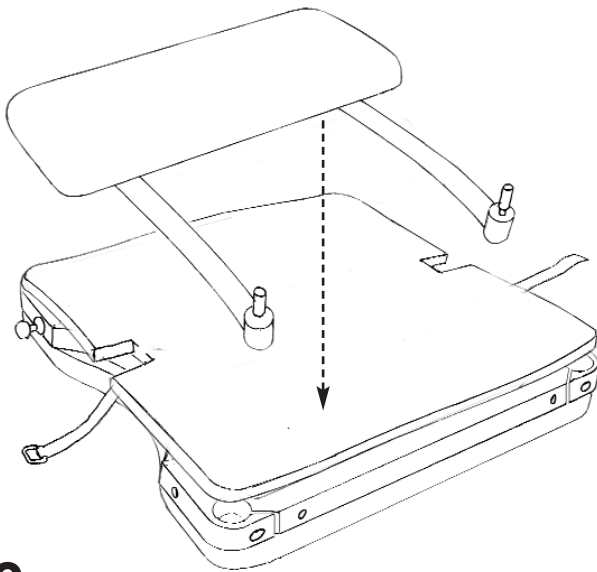
4

Place the legs in the inverted seat frame.
 Note: the plastic bag with the wrenches fits well placed between the legs.



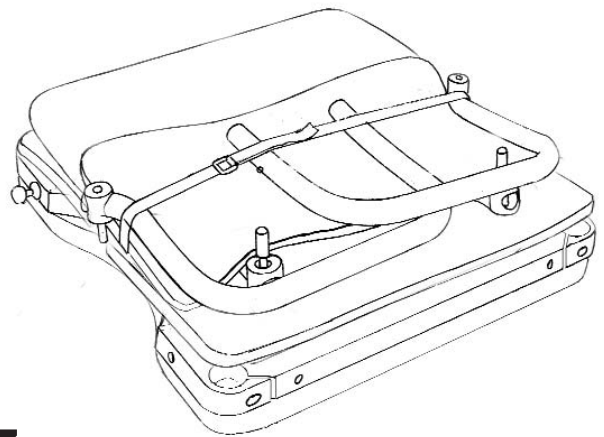
5

Put the 1/2" black foam on top of the legs & frame



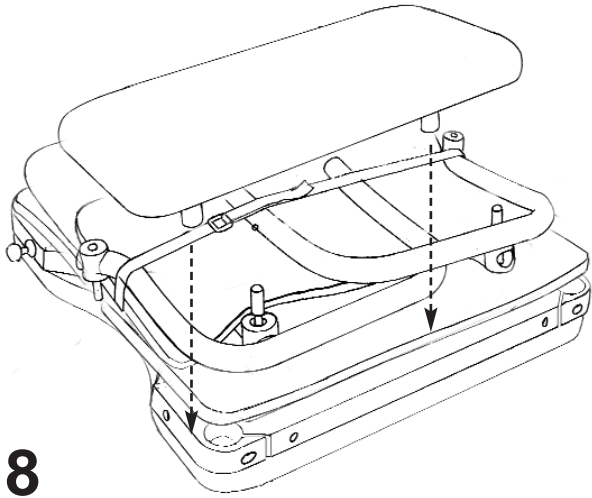
6

Position the backrest on top of the 1/2" black foam

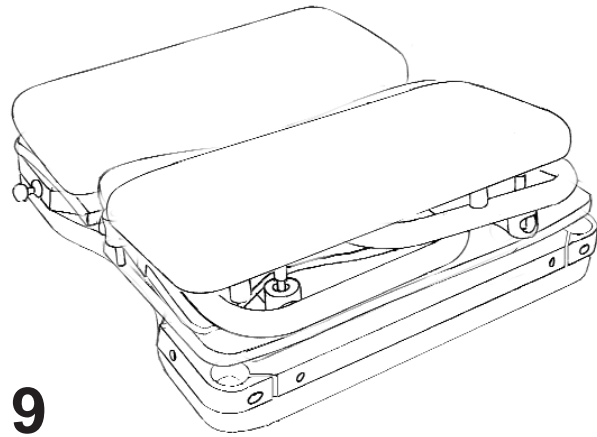


7

Place a second piece of 1/2" black foam on top of the backrest tubing, arrange the side arms, and tighten the packing strap.



8
Locate the transfer cushion (without its adjustment feet) so that its adjustment shafts are between the backrest tubing and the side arms.



9
Complete multichair 3000 (shown with optional side arms and transfer cushion)