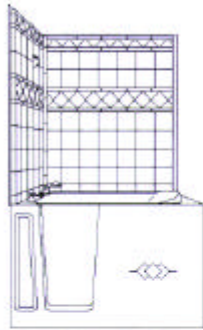


# MODEL: 3LTOW5030 L/R

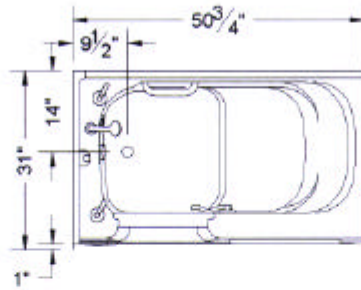
# ESCAPE

ALL ACCESSORIES OPTIONAL

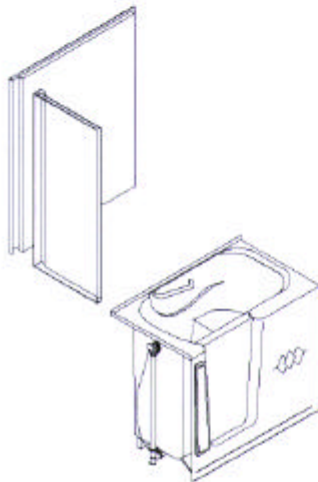
With 2 Wall Surround System.  
With NO Jet Pump



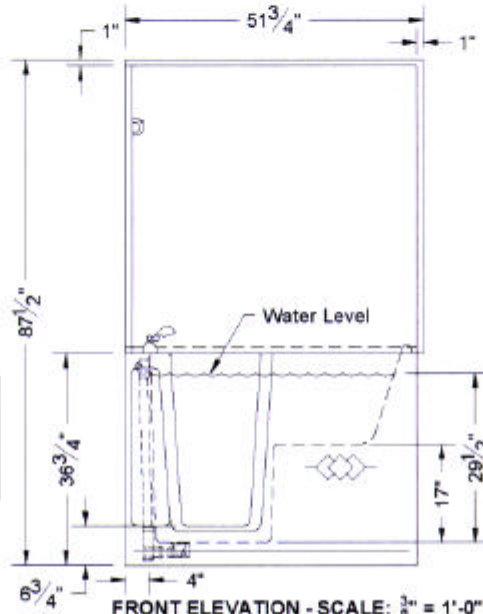
PERSPECTIVE VIEW - N.T.S.  
MODEL SHOWN HERE AS:  
LEFT HAND



TOP VIEW - SCALE  $\frac{3}{8}'' = 1'-0''$



ASSEMBLY VIEW - N.T.S.



FRONT ELEVATION - SCALE:  $\frac{3}{8}'' = 1'-0''$

## Features:

- Innovative new door handle designed for easy operation
- Reliable door seal that comes with a lifetime guarantee
- Seat height is designed for ease of sitting and standing
- Designed to fit in the space of your current bathtub
- Allows you the freedom to rehab at home
- Tile Look Wall surround system with integral plywood backing and SnapJoint quick assembly

## PRODUCT SPECIFICATIONS:

-Walk-in jetted bathtub with pressure sealed door shall be of gelcoat / fiberglass construction and have an integral front skirt, magnetically attached access panel for plumbing.

The matching wall system shall have integral plywood backing and a SnapJoint assembly feature.

C.S.I. FORMAT SPECIFICATION TEXT AVAILABLE

## PRODUCT INFORMATION:

- Accessories: Factory installed Tub Bar, all others installed by others
- Colors: White as standard, Almond optional
- Also available with sprayable solid surface in many colors
- Fill volume with a 170 lbs. bather: 59 gallons
- Tub weight, dry, approx. 134 lbs.
- Total weight of tub, bather, and water: approx. 794 lbs.

## ACCESSORIES:

### OPTIONAL:

- Tub bar
- Roman tub filler
- Hand shower with holder
- Cable Operated Tub drain
- Thermostatic mixing valve
- Grab bars for installation on wall surround
- Custom Tile Accenting on Wall
- Window trim kit
- Flange trim kit

## CODES:

Designed and manufactured in compliance with the following standards and codes:

- I.A.P.M.O. / A.N.S.I. Z124.1.2-2005 Plastic Bathtubs and Showers
- A.S.M.E. A112.19.15-2001 Bathtubs / Whirlpool Bathtubs with pressure sealed doors