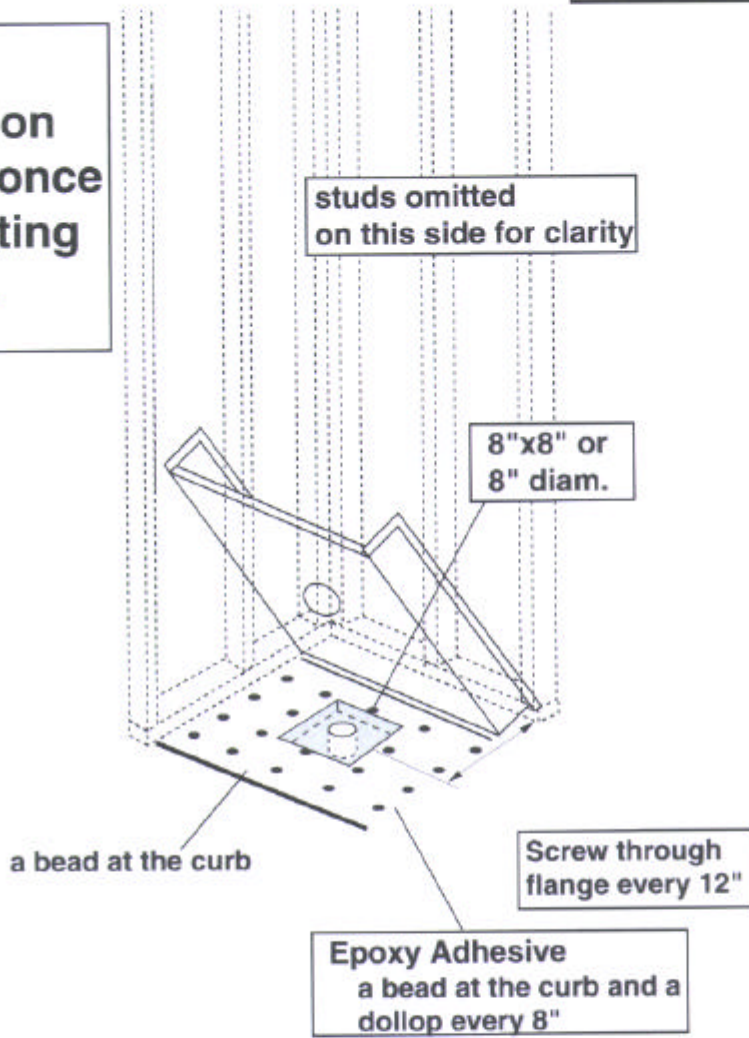


# Installation Instructions

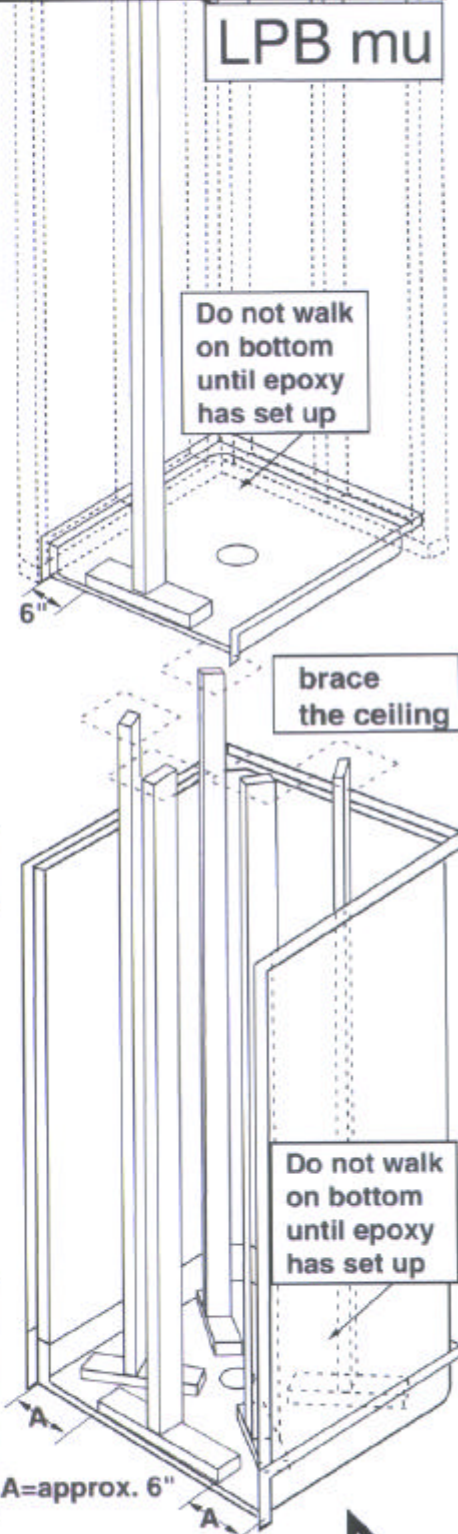
## Showers (multi-piece) with Low Profile Bottoms

**Storage:**  
Do not rest on the bottom once the drain fitting is installed.



**NOTE:** The drain cut-out must be 8" diam. or 8"x8" and back-filled if it is larger to prevent flexing.

These instructions are for certain models in the ACCESS line of showers with low profile bottoms manufactured by Best Bath Systems with a 1, 5, 12 or 75 suffix after the model # (i.e. CS3838A12T) on the tag on the backwall. If in doubt, call the factory at 1-800-727-9907.



**SEE BACK FOR ADDITIONAL  
IMPORTANT INSTRUCTIONS**

