

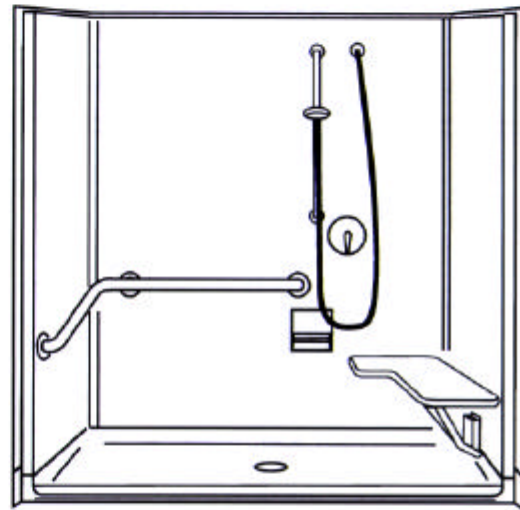
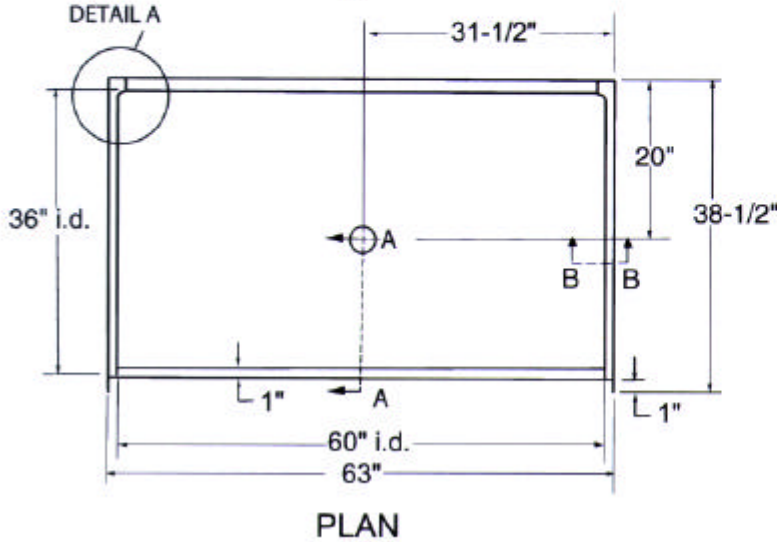
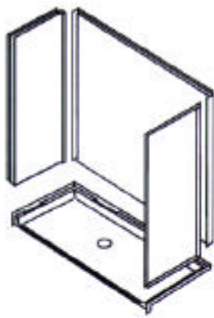
4SS6337A75B



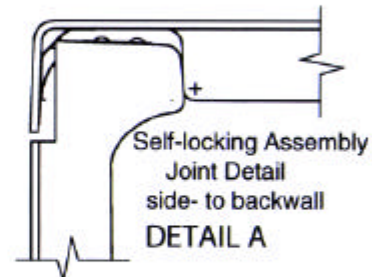
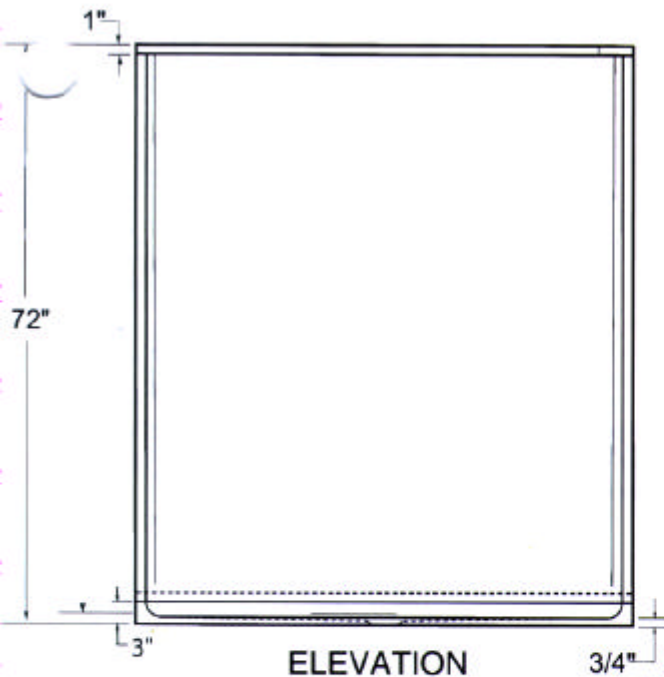
ADA COMPLIANT

DESCRIPTION

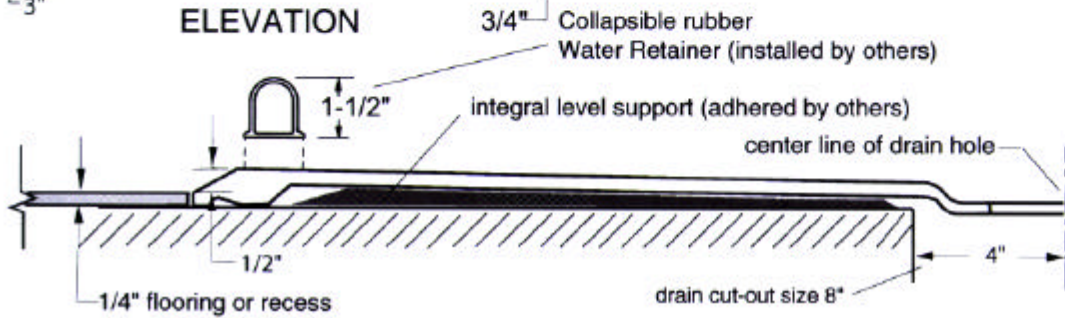
- 4 piece fiberglass showerstall, smoothwall finish
- Easy assembly from the front due to interlocking sections
- 3/4" beveled threshold design
- Laminate includes ceramic fiber loaded resin matrix.
- Full plywood also provides backing for seat and grab bars.
- Luxurious polyester Gelcoat finish in solid colors and available Sprayable Solid Surface
- Accessories available:
shower valve, matching soap dish,
glide bar/hand shower, curtain and rod



Shown as Right hand seat/Right hand plumbing model with optional folding seat, corner grab bar, soap dish, glide bar kit and valve



SECTION B-B



Access