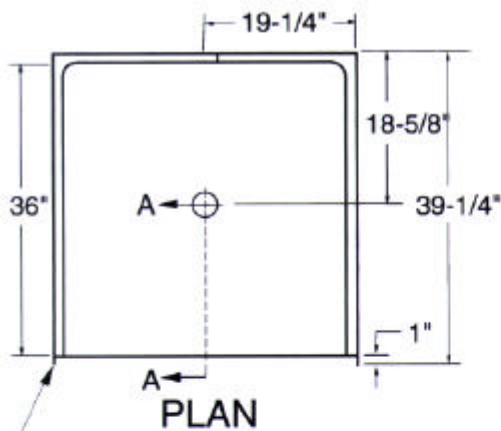


3CS3838A5T

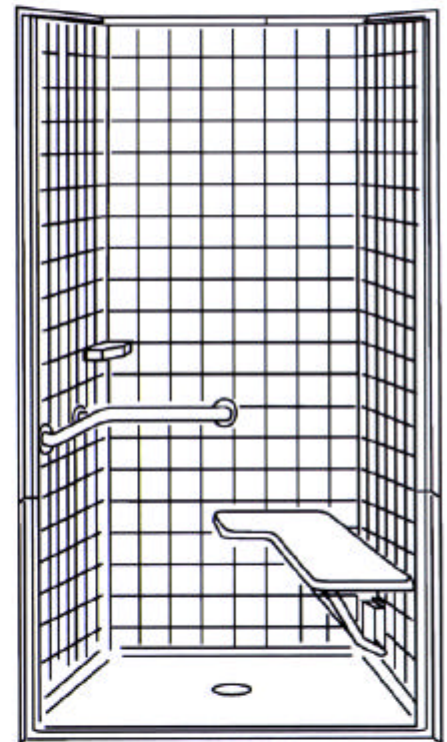
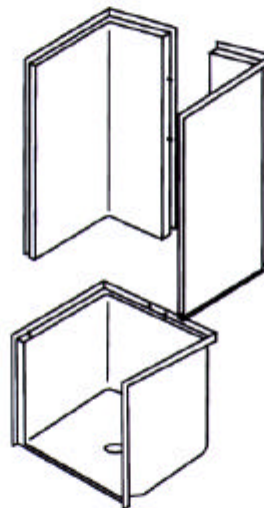
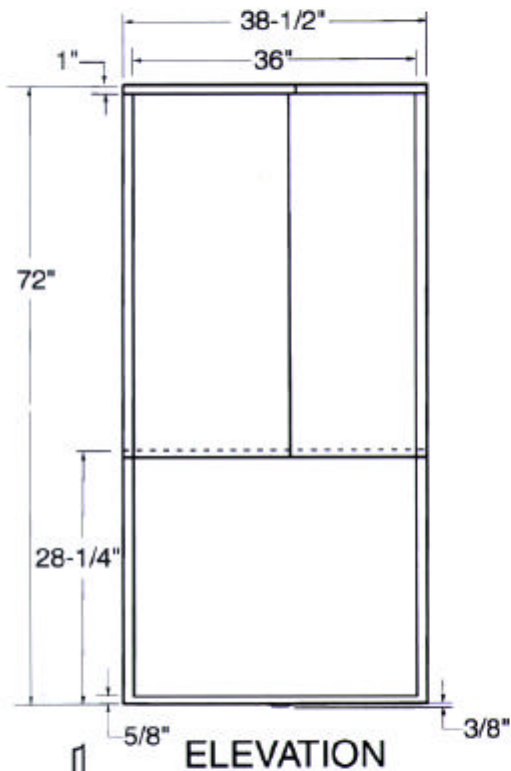
(old # 3pCS-3838ADA.5)



NOTE:
The nailing flange on the seat side may need to be trimmed to the minimum needed for fastening to limit the intrusion into the code required clear floor space to 1 inch.

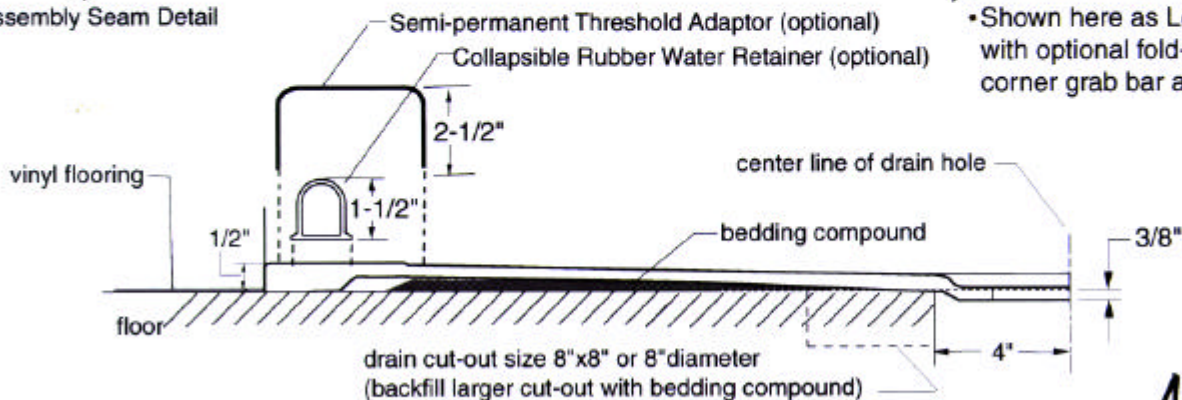
DESCRIPTION

- 3-piece fiberglass showerstall for compact shipping, storage, and easier retrofit installation
- Complies with ADA inside dimensions of 36"x36" for transfer showers
- 1/2" threshold design allows for installation on top of a floor, eliminating the need for recessing
- Full plywood backing
- Seat and grab bar as shown must be installed to meet ADA code
- "Classic Tile" look finish
- Luxurious polyester Gelcoat finish in solid colors and available Sprayable Solid Surface
- Accessories available: shower valve, seat, matching soap dish, glide bar/hand shower, curtain and rod



• Shown here as Left hand model with optional fold-down seat, corner grab bar and soap dish.

Assembly Seam Detail



SECTION A-A

Access

TITLE : 3-piece transfer shower, classic tile, A.D.A. compliant

MODEL : 3CS3838A5T

SCALE : 1/2"=1'0"

SHT. 1 of 4